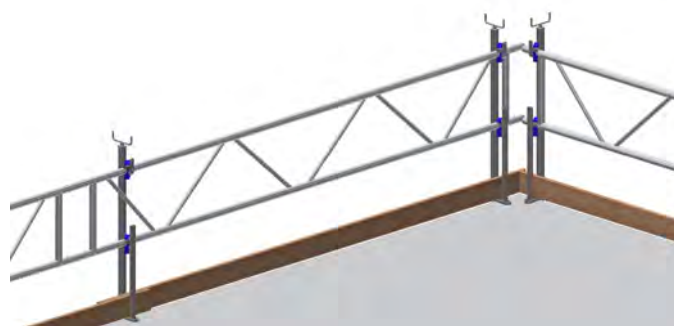


SPINDLE GUARD RAIL CLAMP 120

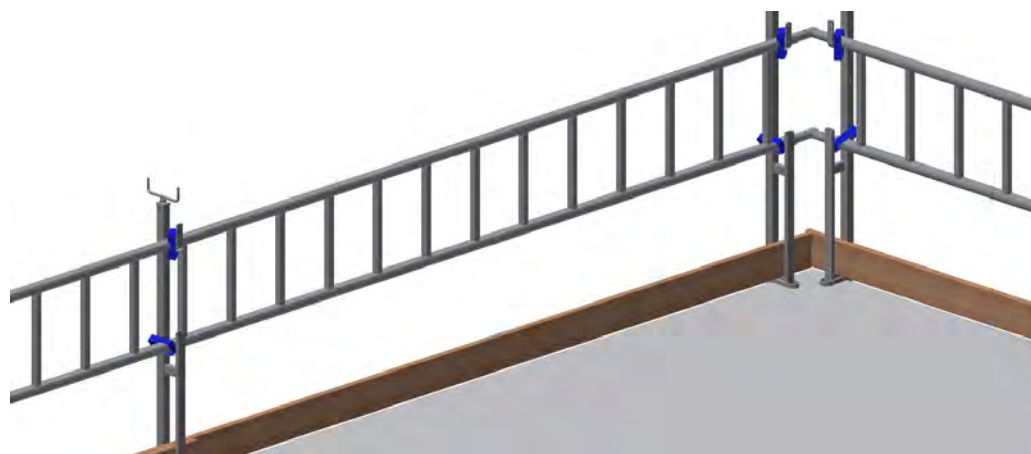
Fall protection for safe working on free ceiling edges



TÜV
AUSTRIA

GEPRÜFT
2710-2312-PSA23-119-Z

TÜV AUSTRIA GMBH



BAUMANN
BAUTECHNIK
CONSTRUCTION
EQUIPMENT

ALTRAD BAUMANN GMBH
Ritter-Heinrich-Strasse 6-12 - 88471 Laupheim, Germany
Tel.: +49 7392 7098-0 - Fax: +49 7392 7098-555 - E-mail: info@altradbaumann.de
www.altradbaumann.de

ISSUE 03/2024

1.01.30

SPINDLE GUARD RAIL CLAMP 120

the perfect fall protection

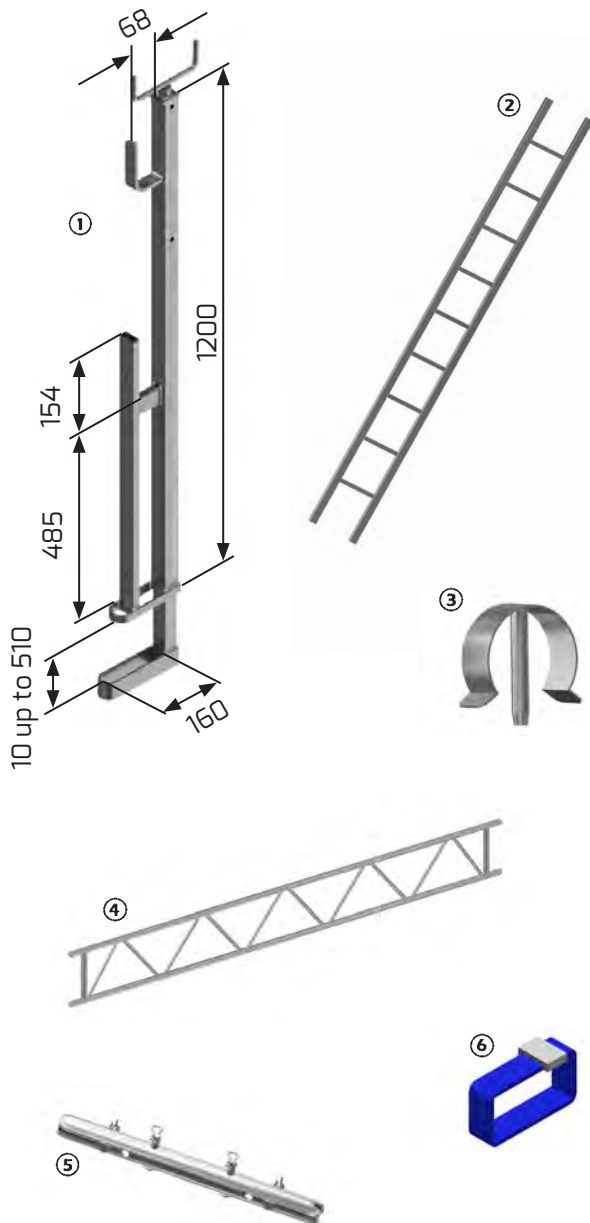


The Spindle Guard Rail Clamp 120 complies with the requirements of DIN EN 13374, Class A and is used as fall protection on concrete structures such as balconies, bridges, platforms, and ceilings. The internally positioned Dywidag spindle protects the thread from dirt.

Post spacing max. 2.00 m when using on-site boards 15 x 3 cm.
Post spacing max. 4.00 m when using grid beams or scaffold ladders from ALTRAD Baumann.
Maximum use height: 40 m above ground level.

Technical documentation:

Assembly and usage instructions



- | | |
|--|--|
| ① Spindle Guard Rail Clamp
galvanized, Weight 7.65 kg | Art.-Nr. 70 09 50 |
| ② Aluminum Scaffold Ladder
L = 3.0 m, 8.00 kg
L = 4.0 m, 10.00 kg
L = 5.0 m, 12.60 kg
L = 5.0 m, 12.60 kg | Art.-Nr. ABSOG 800 04
Art.-Nr. ABSOG 800 01
Art.-Nr. ABSOG 800 02
Art.-Nr. ABSOG 800 03 |
| ③ Spring Clips
galvanized, Weight 0.1 kg | Art.-Nr. ABFED 30 100 |
| ④ Grid Beam H50
L = 4.24 m, 17.10 kg
L = 5.24 m, 21.00 kg
L = 6.24 m, 24.90 kg | Art.-Nr. 50 13 40
Art.-Nr. 50 13 50
Art.-Nr. 50 13 60 |
| ⑤ Pipe Connectors
galvanized, Weight 2.2 kg | Art.-Nr. ABSOG 021 01 |
| ⑥ Quick Release Strap
Length 50 cm | Art.-Nr. ABPLA 021 21 |

Info:

In the module pallet 610, part no. 82 61 00, up to 64 Spindle Guard Rail Clamps can be transported or stored.

Your benefits

- The Spindle Guard Rail Clamp has an opening width of 51 cm
- Maximum post spacing with scaffold ladder or grid beam: 4.0 m



The construction site images do not necessarily depict the entire construction site or safety situation. From a safety perspective, these representations are not intended as examples. Changes in technology, equipment, and pricing are reserved. Reproduction or photocopying, even in part, is prohibited.
© ALTRAD Baumann



ALTRAD BAUMANN GMBH
Ritter-Heinrich-Strasse 6-12 - 88471 Laupheim, Germany
Tel.: +49 7392 7098-0 - Fax: +49 7392 7098-555

www.altradbaumann.de - E-mail: info@altradbaumann.de
www.altradbaumann.at - E-mail: info@altradbaumann.at
www.altradbaumann.ch - E-mail: info@altradbaumann.ch