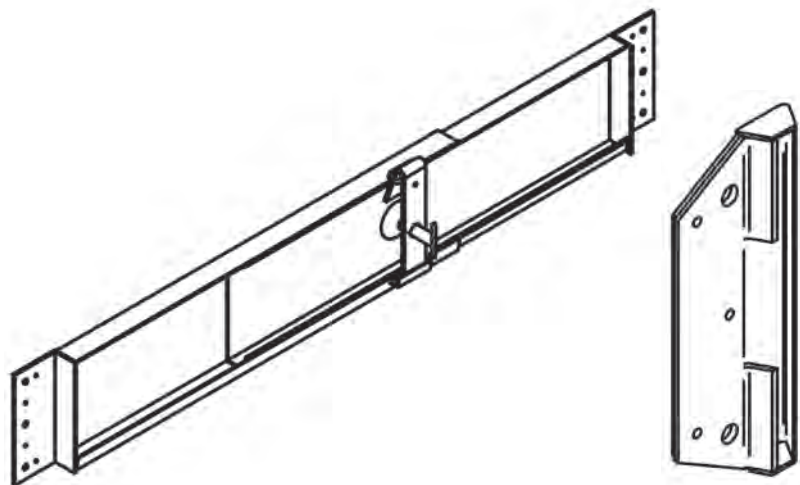


# STAIR FORMWORK

with hinge attachment



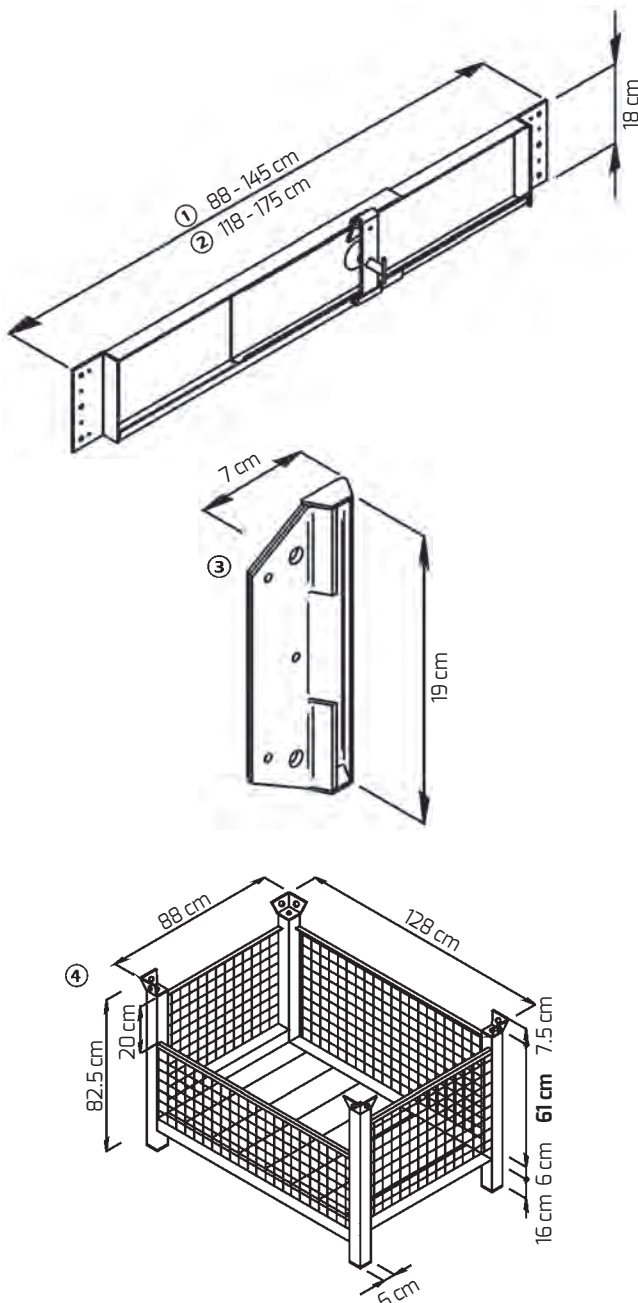
# STAIR FORMWORK

fast assembly because of easy fixations

The Stair Formwork has the following advantages: Fast assembly because of easy fixations. Extendable, time consuming sawing works (especially for coiled stairs) are not necessary. No timber cutoff. High stability, therefore safe while filling in the concrete

and peeling. Permanent reliability guaranteed by special opening device. Easy dismantling of the formwork and cleaning as both elements can be dismantled separately.

**Technical documentation:**  
none



- |  |               |
|--|---------------|
| ① <b>Stair Formwork</b><br>galvanized, weight 9.50 kg                  | Ref. 52 01 00 |
| ② <b>Stair Formwork Maxi</b><br>galvanized, weight 11.00 kg            | Ref. 52 02 00 |
| ③ <b>Hinge Attachment</b><br>for Stair Formwork<br>galvanized, 0.60 kg | Ref. 52 04 00 |

**Stair Formwork „Assortment“  
consisting of:** **Ref. 52 01 16**

- |   |                      |
|---|----------------------|
| ① Stair Formwork, 14 pieces<br>galvanized         | Ref. 52 01 00        |
| ② Stair Formwork Maxi, 2 pieces<br>galvanized     | Ref. 52 02 00        |
| ③ Hinge Attachment, 32 pieces<br>galvanized       | Ref. 52 04 00        |
| ④ Modular Grid palette 610, 1 piece<br>galvanized | Ref. 82 38 61        |
| <b>Total Weight for Assortment</b>                | <b>ca. 234.00 kg</b> |

**Your advantages**

- Easy dismantling of the formwork and cleaning as both elements can be dismantled separately.

The photos of the building sites do not necessarily show the entire building site or all security precautions. These photos and drawings are not meant to be used as an example from a security point of view. Subject to technical alterations or changes in price and equipment. Reprints and photocopies are not permitted. © ALTRAD Baumann