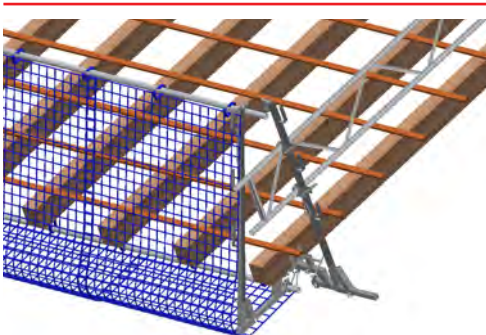


# ROOFERS PROTECTION KOMBI 350

proofed by in-house tests according to DIN EN 13374 Class A and C



# ROOFERS PROTECTION KOMBI 350

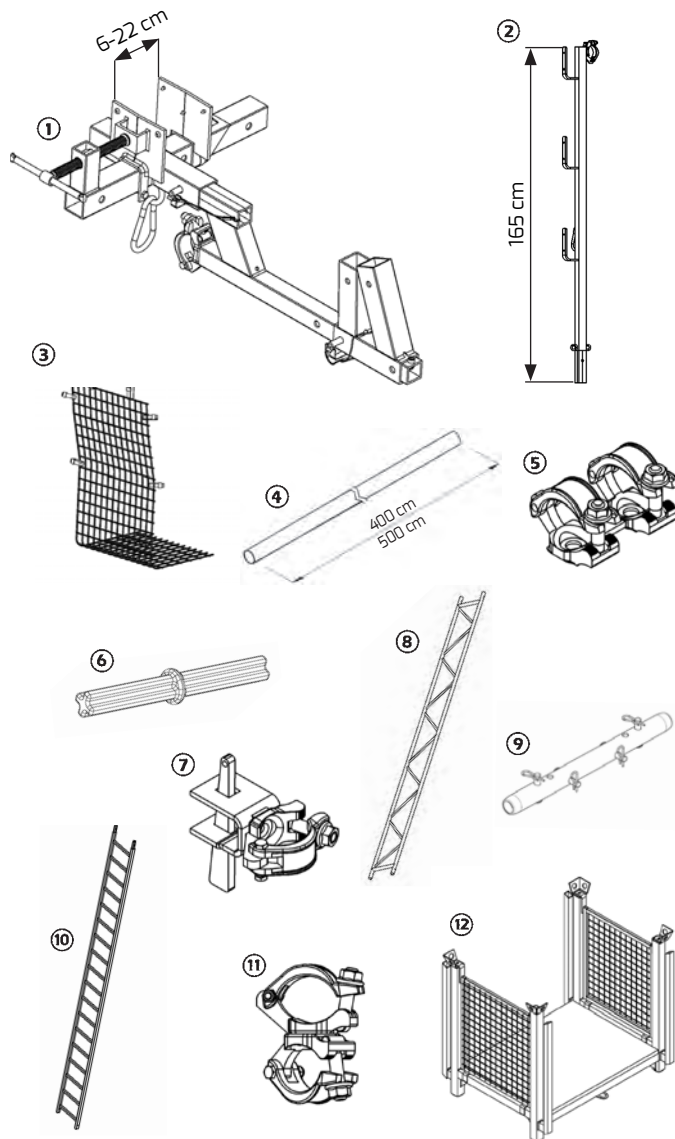
assembled by just one person

The Roofers-Protection Kombi 350 applies DIN EN 13374 class A and C and allows the assembly of a roofers protection on roofs with up to 60° slope. The clamp has 4 attachment positions for the guard rail post and can be attached to rafter, roof beams and to the verge. The Roofers-Protection Kombi 350

is consisting of 3 parts, which allows mounting of a complete roof covering by only one person. The maximum distance between two Roofers protection Kombi in combination with Alu-Scaffold-Tubes is on the eaves side 3,50 m. You can use Scaffold tubes or bards (3 x 15 cm) for assembly to the guard rail post. The

Wedge Tube Coupler allows an additional attachment of Scaffold Tube, Lattice Girders or Scaffold Ladders.

**Technical documentation:**  
Assembly guide



- |  |  |
|--|--|
| ① <b>Roofers Protection Kombi 350</b><br>galvanized, weight 14.60 kg   | Ref. 75 55 00                            |
| ② <b>Guard Rail Post-Kombi</b><br>galvanized, weight 8.40 kg   | Ref. 75 75 00                            |
| ③ <b>Net with snap buckle</b><br>5 x 2 m, weight 2.80 kg<br>10 x 2 m, weight 5.80 kg   | Ref. 73 43 06<br>Ref. 73 43 07           |
| ④ <b>Alu-Tube</b><br>L = 4.00 m, weight 6.00 kg<br>L = 5.00 m, weight 7.50 kg  | Ref. AB RDR 000 34<br>Ref. AB RDR 000 36 |
| ⑤ <b>Tension Coupler SW 19</b><br>galvanized, weight 1.30 kg   | Ref. AB KUP 65 002                       |
| ⑥ <b>Tube Connector galvanized</b><br>galvanized, weight 1.30 kg   | Ref. AB DIV 100 01                       |
| <b>Accessories:</b>  |  |
| ⑦ <b>Wedge Tube Coupler</b><br>galvanized, weight 1.50 kg  | Ref. 75 40 48                            |
| ⑧ <b>Alu-Lattice Girder H50</b><br>L = 5.24 m, weight 21.00 kg   | Ref. 50 13 50                            |
| ⑨ <b>Connecting spigot straight</b><br>galvanized, weight 2.20 kg  | Ref. AB SOG 021 01                       |
| ⑩ <b>Alu-Ladder</b><br>L = 5.00 m, weight 12.60 kg   | Ref. AB SOG 800 02                       |
| ⑪ <b>Swivel Coupler SW 19</b><br>galvanized, weight 1.20 kg  | Ref. AB KUP 200 17                       |
| ⑫ <b>Modulpalette Vario 830</b><br>galvanized, weight 91.00 kg<br>for storage of:<br>- 24 pcs Roofers Protection Kombi 350<br>- 24 pcs Guard Rail Post | Ref. 82 28 88                            |

## Your advantages:

- assembly at roof beams, rafters and verge
- four assembly possibilities for the guard rail post

The photos of the building sites do not necessarily show the entire building site or all security precautions. These photos and drawings are not meant to be used as an example from a security point of view. Subject to technical alterations or changes in price and equipment. Reprints and photocopies are not permitted. © ALTRAD Baumann