

≡ GROUND FORMWORK SYSTEMS

Edge formwork support Primo, ground anchor, earth nail, earth nail puller and tensioning clamp



GROUND FORMWORK SYSTEMS

Edge formwork support Primo, ground anchor, earth nail, earth nail puller and tensioning clamp

The edge formwork support Primo enables precise formwork removal for floor slabs or ceilings. With only 35 cm depth the edge formwork support Primo requires minimal space.

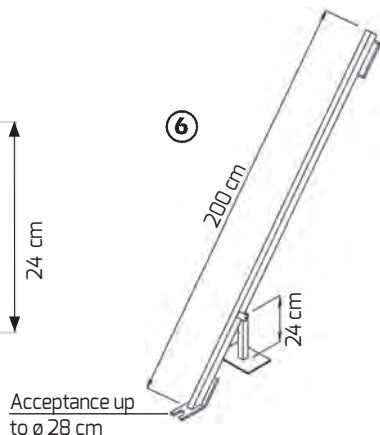
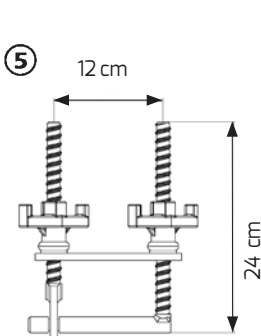
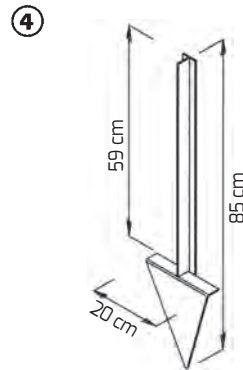
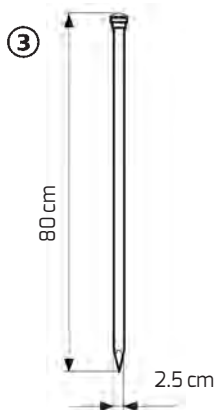
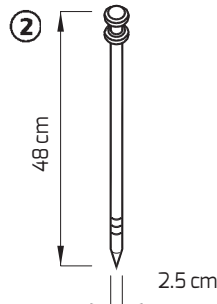
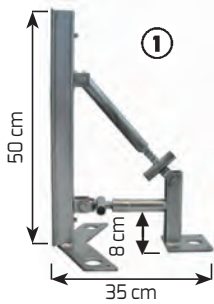
The construction-friendly coarse thread (weldable Dywidag D = 15/17 mm) for tension and compression allows for

precise adjustment of vertical formwork. The V-shaped foot ensures a secure footing.

The cost-effective alternative to formwork removal with wooden posts is the ground anchor. The special shape of the pressure plate allows for easy

removal of the ground anchor. With the newly developed tensioning clamp, the edge formwork support Primo can be quickly and easily attached to various formwork elements.

Technical documentation: none



Acceptance up to ø 28 cm

- ① **Edge formwork support Primo** Item No. 53 05 00
hot-dip galvanized
Weight 5.20 kg

Additionally required:

- ② **Forged earth nail, 2x** Item No. 10 00 00
Weight 2.30 kg
or
- ③ **Forged long earth nail, 2x** Item No. 10 00 80
Weight 3.10 kg

- ④ **Ground anchor** Item No. 10 17 01
galvanized,
Weight 4.30 kg

Accessories:

- ⑤ **Tensioning clamp** Item No. 53 15 00
Thick-layer passivation,
Weight 2.00 kg
- ⑥ **Earth nail puller** Item No. 10 15 50
Weight 8.75 kg

Attention:

The tensioning clamp can only be used on formwork elements with side holes (diameter 20 mm) on the intermediate posts. (e.g., ALTRAD Baumann, Hünnebeck, Peri, and many more)

Your Benefits

- Floor slabs, ceilings, and strip foundations can be quickly and cost-effectively formwork removed without elaborate cutting and supporting work.
- Optimal attachment to the formwork element is ensured by tensioning clamps.



The construction site images do not necessarily depict the entire construction site or safety situation. From a safety perspective, these representations are not intended as examples. Changes in technology, equipment, and pricing are reserved. Reproduction or photocopying, even in part, is prohibited.
© ALTRAD Baumann



ALTRAD BAUMANN GMBH
Ritter-Heinrich-Strasse 6-12 - 88471 Laupheim, Germany
Tel.: +49 7392 7098-0 - Fax: +49 7392 7098-555

www.altradbaumann.de - E-mail: info@altradbaumann.de
www.altradbaumann.at - E-mail: info@altradbaumann.at
www.altradbaumann.ch - E-mail: info@altradbaumann.ch