

# MAXI-PACK RACK

Stability, functionality and safety on store



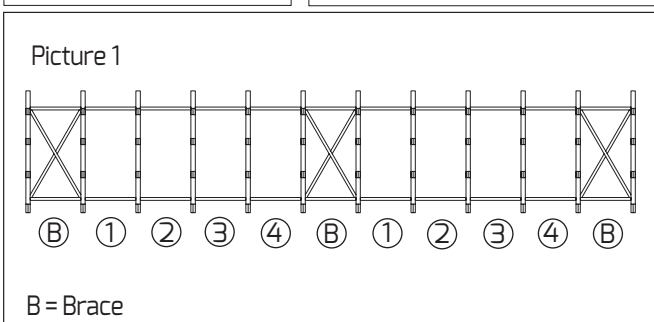
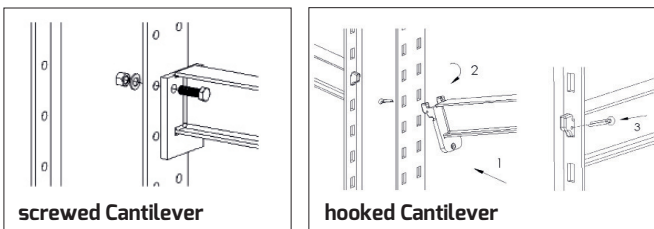
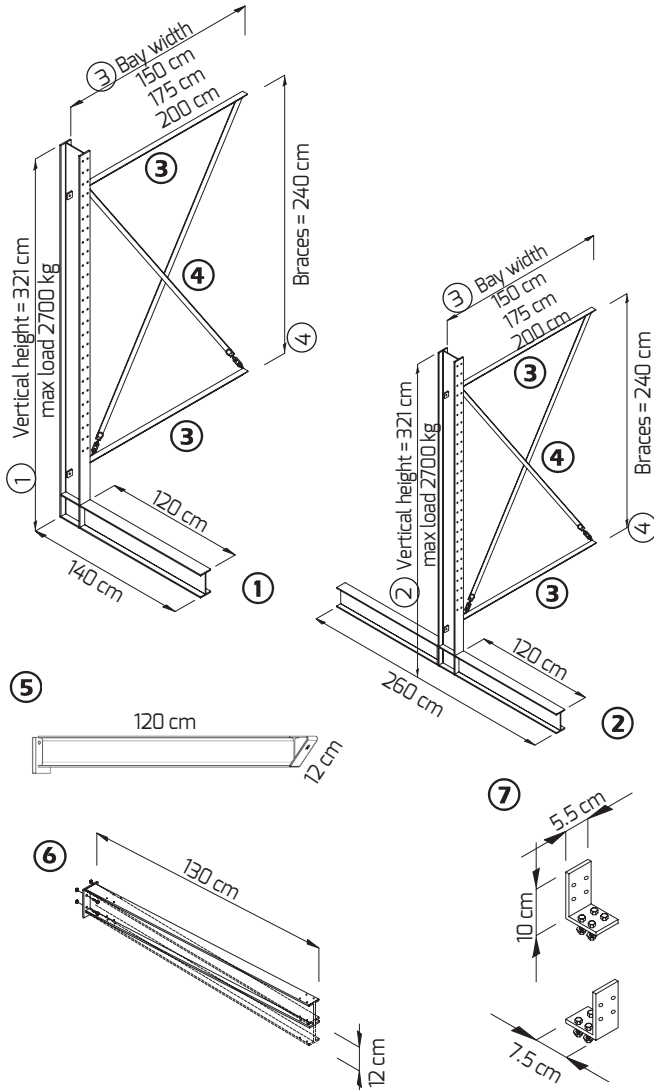
# MAXI-PACK RACK

## Vertical one faced and vertical double faced, Height 3.21 m

The Maxi Pack Cantilever Rack is designed for storing building components, building materials and raw materials. The cantinuous storing levels allow the storage of long and bulky elements. The Maxi Pack Cantilever Rack in creases your storage capacity on

existing ground plot. Thats an important argument in times where everybody is looking for savings and economisation. The arms can be attached to the verticals every 10 cm. The braces have to be assembled in every 5th bay (illustration1)

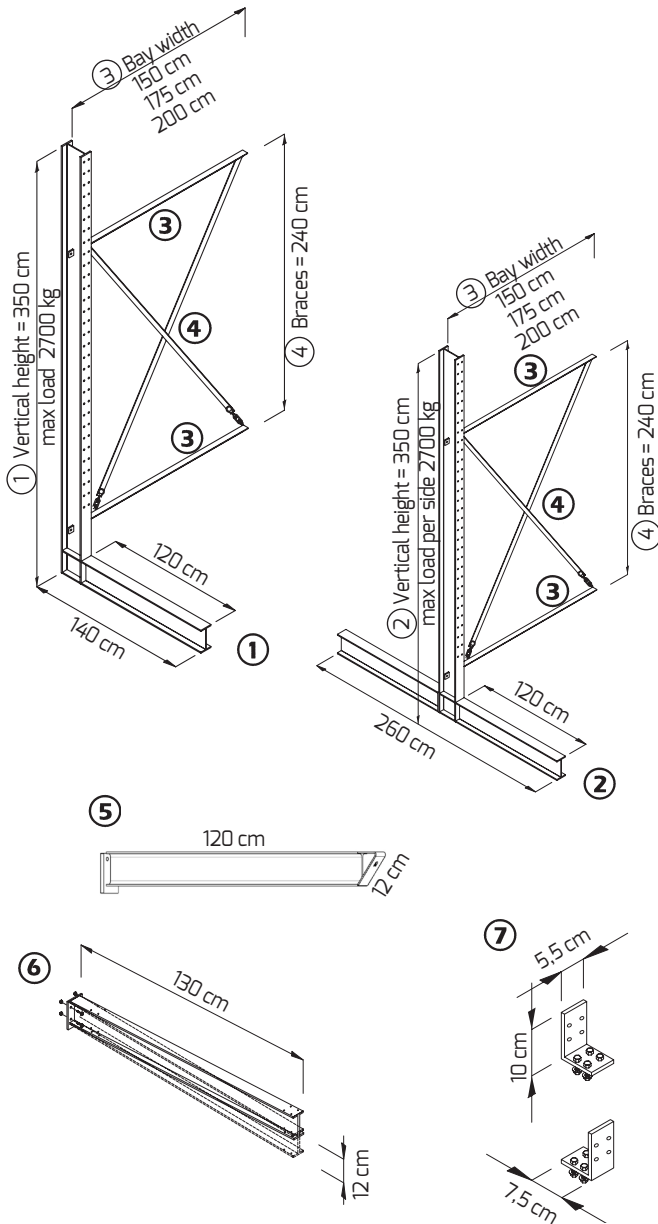
**Technical documentation:**  
Assembly guide



- |   |  |
|---|--|
| ① Vertical, one faced<br>screwed Cantilever<br>Total height 321 cm<br>galvanized, weight 89 kg<br>Bay profile IPE 180, incl. fastener, max. bay strain 2,700 kg           | Ref. KS180320 E  |
| Vertical one faced<br>screwed Cantilever<br>Total height 321 cm<br>galvanized, weight 106 kg<br>Bay profile IPE 200, incl. fastener, max. bay strain 2,700 kg             | Ref. KS200320 E  |
| Vertical one faced<br>hooked Cantilever<br>Total height 321 cm<br>galvanized, weight 106 kg<br>Bay profile IPE 200, incl. fastener, max. bay strain 2,700 kg              | Ref. KS200320 E-G  |
| ② Vertical double faced<br>screwed Cantilever<br>Total height 321 cm<br>galvanized, weight 155 kg<br>Bay profile IPE 180, incl. fastener, max. bay strain 2,700 kg        | Ref. KS180320 D  |
| Vertical double faced<br>screwed Cantilever<br>Total height 321 cm<br>galvanized, weight 133 kg<br>bay profile IPE 200, incl. fastener, max. bay strain per side 2,700 kg | Ref. KS200320 D  |
| Vertical double faced<br>hooked Cantilever<br>Total height 321 cm<br>galvanized, weight 137 kg<br>bay profile IPE 200, incl. fastener, max. bay strain per side 2,700 kg  | Ref. KS200320 D  |
| ③ Bay connection galvanized, incl. screw<br>bay width 150 cm<br>bay width 175 cm<br>bay width 200 cm  | Ref. KSV 1500<br>Ref. KSV 1750<br>Ref. KSV 2000                |
| ④ Vertical Brace, H = 240 cm, galvanized, incl. screw<br>bay width 150 cm<br>bay width 175 cm<br>bay width 200 cm   | Ref. KDV 1500-2400<br>Ref. KDV 1750-2400<br>Ref. KDV 2000-2400 |
| ⑤ Cantilever, L = 120 cm, screwed<br>max. strain 900 kg<br>galvanized, weight 13.8 kg, IPE 120, incl. screw   | Ref. KA120120  |
| Cantilever, L = 120 cm, hooked<br>max. strain 900 kg<br>galvanized, weight 14.6 kg, IPE 120, incl. screw  | Ref. KA120120-G  |
| ⑥ Roof Beam, L = 130 cm<br>+ 7° pitch<br>max. strain 900 kg, galvanized, weight 16.7 kg, IPE 120, incl. screw   | Ref. KD120130 S  |
| Roof Beam, L = 130 cm<br>- 7° pitch<br>max strain 900 kg, galvanized, weight 16.7 kg, IPE 120, incl. screw  | Ref. KD120130 F  |
| ⑦ Angle Bracket for Roof Beam<br>galvanized, weight 0.4 kg,<br>incl. screw<br>per Roof Beam are two Angle Bracket required  | Ref. KW130   |

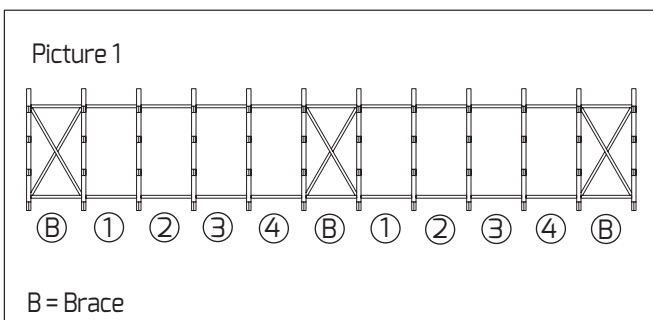
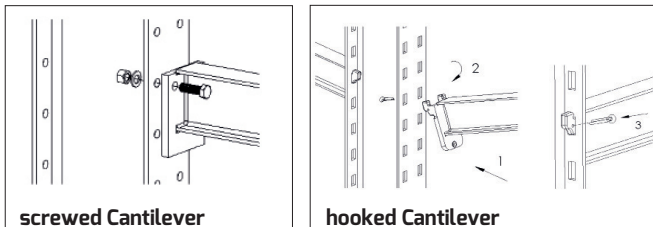
# MAXI-PACK RACK

Vertical one faced and vertical double faced, Height 3.50 m



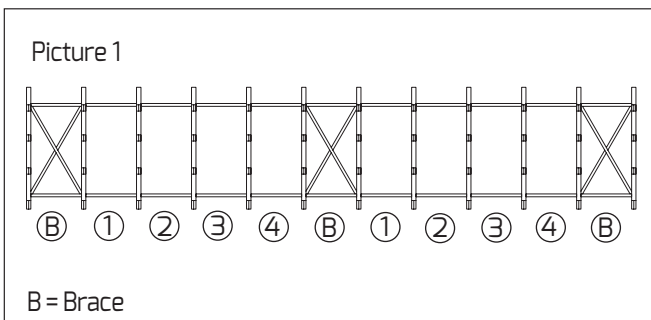
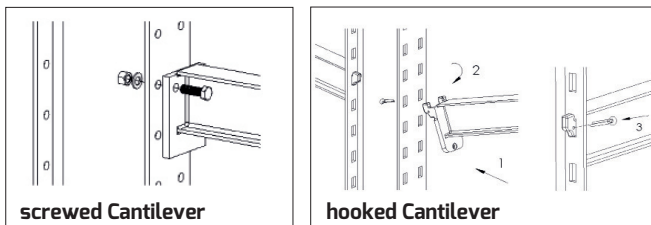
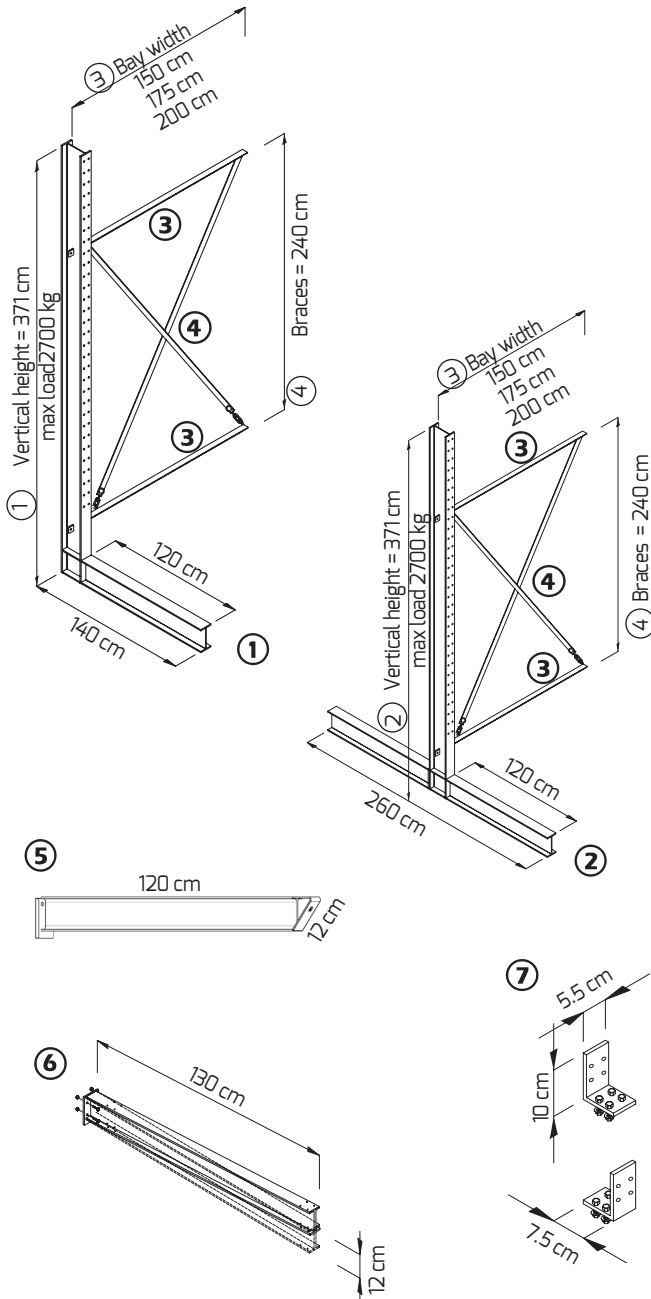
- ① **Vertical, one faced screwed Cantilever** Ref. K5180350 E  
**Total height 350 cm**  
galvanized, weight 94 kg  
Bay profile IPE 180, incl. fastener, max. bay strain 2,700 kg
- ② **Vertical double faced screwed Cantilever** Ref. K5180350 D  
**Total height 350 cm**  
galvanized, weight 121 kg  
Bay profile IPE 180, incl. fastener, max. bay strain 2,700 kg
- ③ **Bay connection** galvanized, incl. screw  
bay width 150 cm Ref. KSV 1500  
bay width 175 cm Ref. KSV 1750  
bay width 200 cm Ref. KSV 2000
- ④ **Vertical Brace, H = 240 cm**, galvanized, incl. screw  
bay width 150 cm Ref. KDV 1500-2400  
bay width 175 cm Ref. KDV 1750-2400  
bay width 200 cm Ref. KDV 2000-2400
- ⑤ **Cantilever, L = 120 cm, screwed** Ref. KA120120  
max. strain 900 kg  
galvanized, weight 13.8 kg, IPE 120, incl. screw
- ⑥ **Roof Beam, L = 130 cm + 7° pitch** Ref. KD120130 S  
max. strain 900 kg, galvanized, weight 16.7 kg, IPE 120, incl. screw

**Roof Beam, L = 130 cm - 7° pitch** Ref. KD120130 F  
max strain 900 kg, galvanized, weight 16.7 kg, IPE 120, incl. screw
- ⑦ **Angle Bracket for Roof Beam** Ref. KW130  
galvanized, weight 0.4 kg,  
incl. screw  
per Roof Beam are two Angle Bracket required



# MAXI-PACK RACK

Vertical one faced and vertical double faced, Height 3.71 m



- ① **Vertical, one faced screwed Cantilever** Ref. KS200370 E  
**Total height 371 cm**  
 galvanized, weight 117 kg  
 Bay profile IPE 200, incl. fastener, max. bay strain 2,700 kg

**Vertical one faced hooked Cantilever** Ref. KS200370 E-G  
**Total height 371 cm**  
 galvanized, weight 118 kg  
 Bay profile IPE 200, incl. fastener, max. bay strain 2,700 kg
- ② **Vertical double faced screwed Cantilever** Ref. KS200370 D  
**Total height 371 cm**  
 galvanized, weight 145 kg  
 Bay profile IPE 200, incl. fastener, max. bay strain 2,700 kg

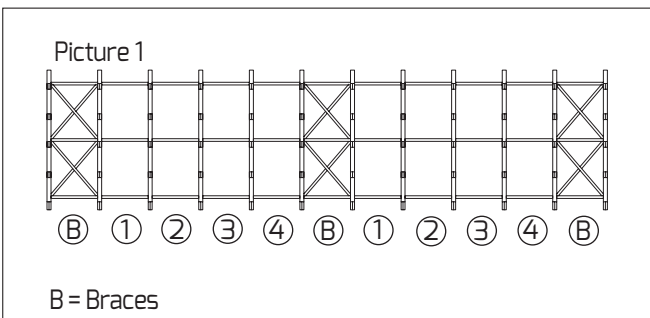
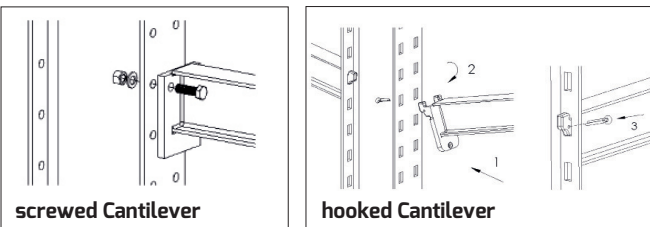
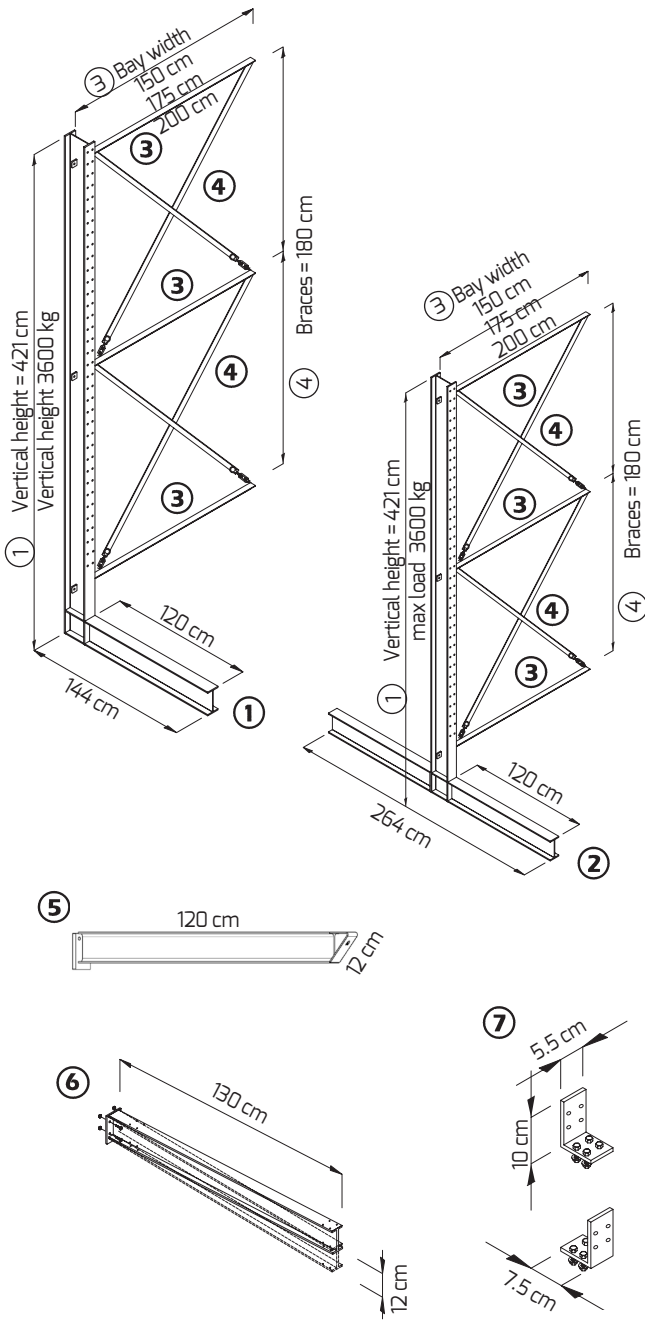
**Vertical double faced hooked Cantilever** Ref. KS200370 D-G  
**Total height 371 cm**  
 galvanized, weight 184 kg  
 Bay profile IPE 200, incl. fastener, max. bay strain per side 2,700 kg
- ③ **Bay connection** galvanized, incl. screw  
 bay width 150 cm Ref. KSV 1500  
 bay width 175 cm Ref. KSV 1750  
 bay width 200 cm Ref. KSV 2000
- ④ **Vertical Brace, H = 240 cm**, galvanized, incl. screw  
 bay width 150 cm Ref. KDV 1500-2400  
 bay width 175 cm Ref. KDV 1750-2400  
 bay width 200 cm Ref. KDV 2000-2400
- ⑤ **Cantilever, L = 120 cm, screwed** Ref. KA120120  
 max. strain 900 kg  
 galvanized, weight 13.8 kg, IPE 120, incl. screw

**Cantilever, L = 120 cm, hooked** Ref. KA120120-G  
 max. strain 900 kg  
 galvanized, weight 14.6 kg, IPE 120, incl. screw
- ⑥ **Roof Beam, L = 130 cm + 7° pitch** Ref. KD120130 S  
 max. strain 900 kg, galvanized, weight 16.7 kg, IPE 120, incl. screw

**Roof Beam, L = 130 cm - 7° pitch** Ref. KD120130 F  
 max strain 900 kg, galvanized, weight 16.7 kg, IPE 120, incl. screw
- ⑦ **Angle Bracket for Roof Beam** Ref. KW130  
 galvanized, weight 0.4 kg,  
 incl. screw  
 per Roof Beam are two Angle Bracket required

# MAXI-PACK RACK

Vertical one faced and vertical double faced, Height 4.21 m



- ① **Vertical, one faced screwed Cantilever** Ref. KS220420 E  
**Total height 421 cm**  
 galvanized, weight 151 kg  
 Bay profile IPE 220, incl. fastener, max. bay strain 3,600 kg

**Vertical one faced hooked Cantilever** Ref. KS220420 E-G  
**Total height 421 cm**  
 galvanized, weight 151 kg  
 Bay profile IPE 220, incl. fastener, max. bay strain 3,600 kg
- ② **Vertical double faced screwed Cantilever** Ref. KS220420 D  
**Total height 421 cm**  
 galvanized, weight 183 kg  
 Bay profile IPE 180, incl. fastener, max. bay strain 3,600 kg

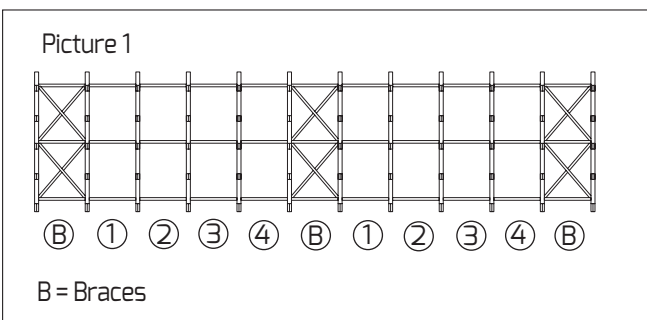
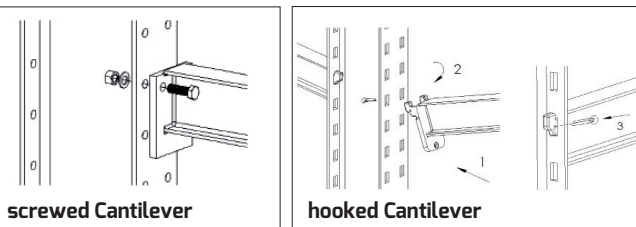
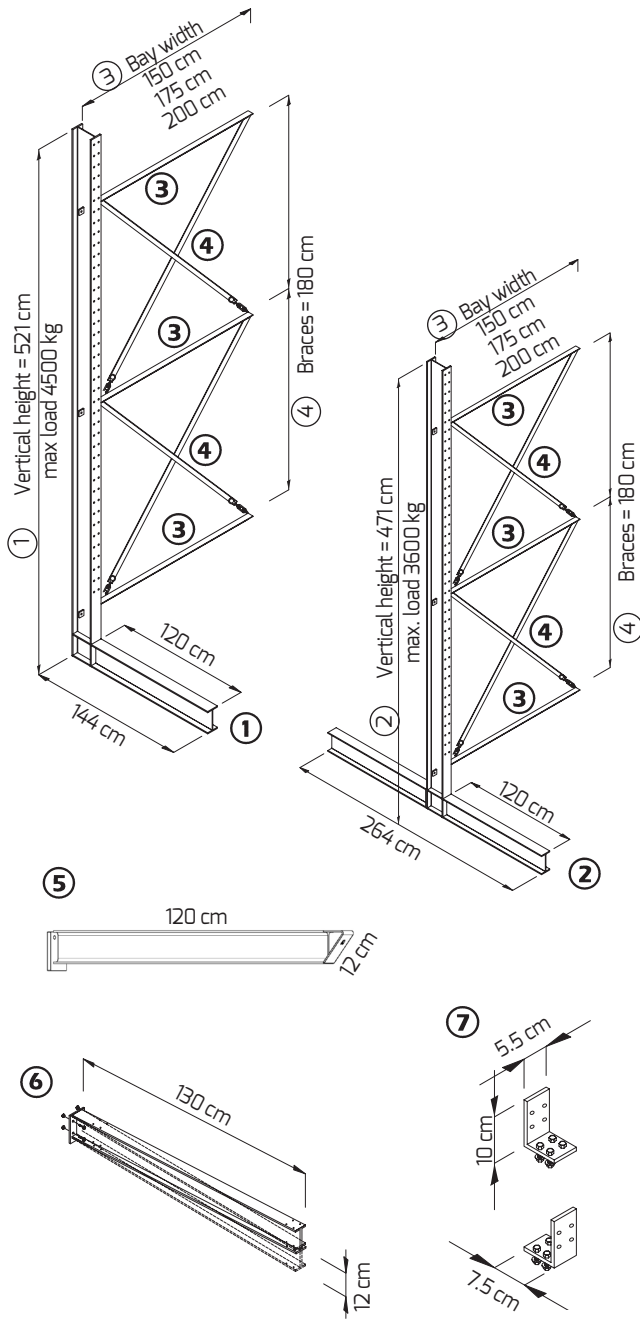
**Vertical double faced hooked Cantilever** Ref. KS220420 D-G  
**Total height 421 cm**  
 galvanized, weight 187 kg  
 bay profile IPE 200, incl. fastener, max. bay strain per side 3,600 kg
- ③ **Bay connection** galvanized, incl. screw  
 bay width 150 cm Ref. KSV 1500  
 bay width 175 cm Ref. KSV 1750  
 bay width 200 cm Ref. KSV 2000
- ④ **Vertical Brace, H = 180 cm**, galvanized, incl. screw  
 bay width 150 cm Ref. KDV 1500-1800  
 bay width 175 cm Ref. KDV 1750-1800  
 bay width 200 cm Ref. KDV 2000-1800
- ⑤ **Cantilever, L = 120 cm, screwed** Ref. KA120120  
 max. strain 900 kg  
 galvanized, weight 13.8 kg, IPE 120, incl. screw

**Cantilever, L = 120 cm, hooked** Ref. KA120120-G  
 max. strain 900 kg  
 galvanized, weight 14.6 kg, IPE 120, incl. screw
- ⑥ **Roof Beam, L = 130 cm + 7° pitch** Ref. KD120130 S  
 max. strain 900 kg, galvanized, weight 16.7 kg, IPE 120, incl. screw

**Roof Beam, L = 130 cm - 7° pitch** Ref. KD120130 F  
 max strain 900 kg, galvanized, weight 16.7 kg, IPE 120, incl. screw
- ⑦ **Angle Bracket for Roof Beam** Ref. KW130  
 galvanized, weight 0.4 kg,  
 incl. screw  
 per Roof Beam are two Angle Bracket required

# MAXI-PACK RACK

Vertical one faced and vertical double faced, Height 4.71 m



- ① **Vertical, one faced screwed Cantilever** Ref. KS220470 E  
**Total height 471 cm**  
 galvanized, weight 164 kg  
 Bay profile IPE 220, incl. fastener, max. bay strain 3,600 kg

**Vertical one faced hooked Cantilever** Ref. KS220470 E-G  
**Total height 471 cm**  
 galvanized, weight 165 kg  
 Bay profile IPE 220, incl. fastener, max. bay strain 3,600 kg
- ② **Vertical double faced screwed Cantilever** Ref. KS220470 D  
**Total height 471 cm**  
 galvanized, weight 196 kg  
 Bay profile IPE 220, incl. fastener, max. bay strain 3,600 kg

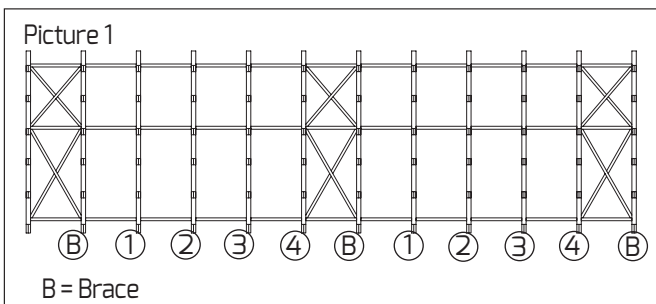
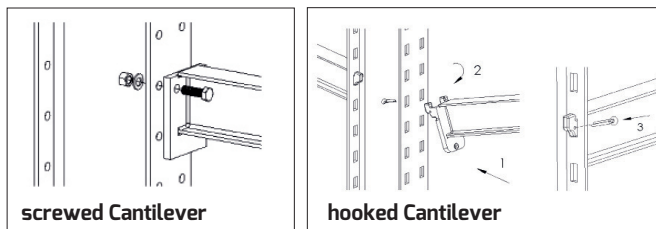
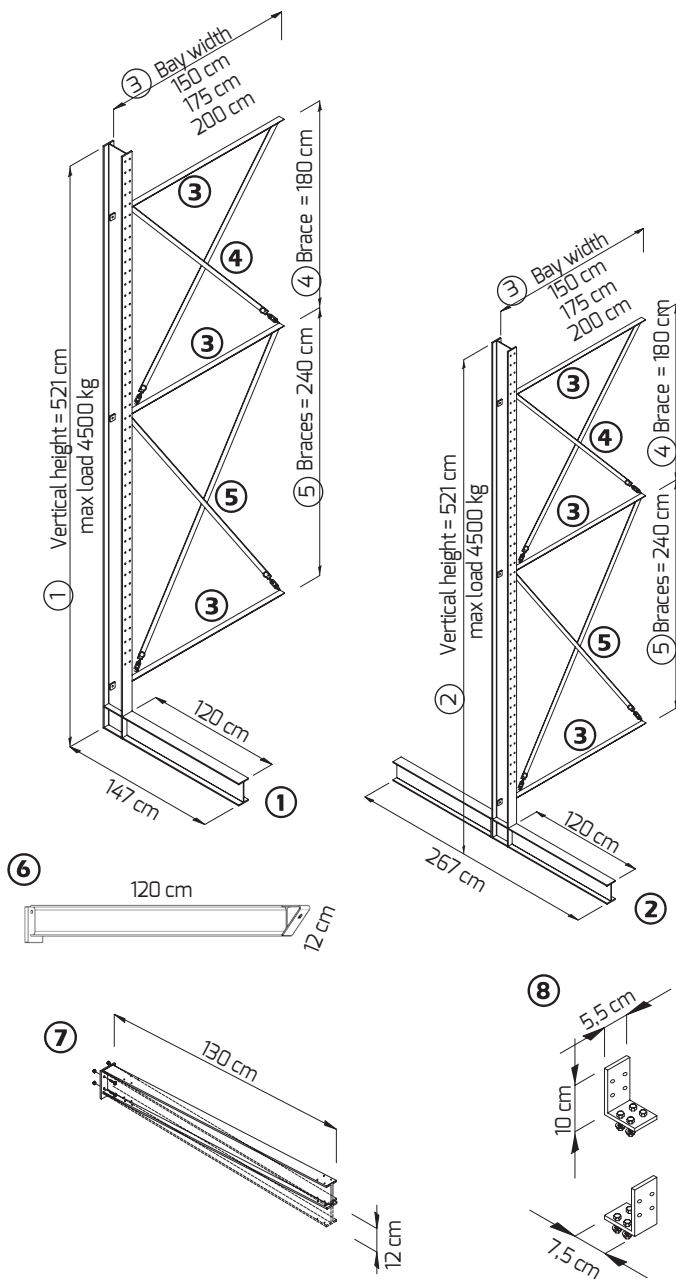
**Vertical double faced hooked Cantilever** Ref. KS220470 D-G  
**Total height 471 cm**  
 galvanized, weight 201 kg  
 bay profile IPE 200, incl. fastener, max. bay strain per side 3,600 kg
- ③ **Bay connection galvanized, incl. screw**  
 bay width 150 cm Ref. KSV 1500  
 bay width 175 cm Ref. KSV 1750  
 bay width 200 cm Ref. KSV 2000
- ④ **Vertical Brace, H = 180 cm, galvanized, incl. screw**  
 bay width 150 cm Ref. KDV 1500-1800  
 bay width 175 cm Ref. KDV 1750-1800  
 bay width 200 cm Ref. KDV 2000-1800
- ⑤ **Cantilever, L = 120 cm, screwed** Ref. KA120120  
 max. strain 900 kg  
 galvanized, weight 13.8 kg, IPE 120, incl. screw

**Cantilever, L = 120 cm, hooked** Ref. KA120120-G  
 max. strain 900 kg  
 galvanized, weight 14.6 kg, IPE 120, incl. screw
- ⑥ **Roof Beam, L = 130 cm + 7° pitch** Ref. KD120130 S  
 max. strain 900 kg, galvanized, weight 16.7 kg, IPE 120, incl. screw

**Roof Beam, L = 130 cm - 7° pitch** Ref. KD120130 F  
 max strain 900 kg, galvanized, weight 16.7 kg, IPE 120, incl. screw
- ⑦ **Angle Bracket for Roof Beam** Ref. KW130  
 galvanized, weight 0.4 kg,  
 incl. screw  
 per Roof Beam are two Angle Bracket required

# MAXI-PACK RACK

Vertical one faced and vertical double faced, Height 5.21 m



- ① **Vertical, one faced screwed Cantilever** Ref. KS240520 E  
**Total height 521 cm**  
 galvanized, weight 208 kg  
 Bay profile IPE 240, incl. fastener, max. bay strain 4,500 kg
- Vertical one faced hooked Cantilever** Ref. KS240520 E-G  
**Total height 521 cm**  
 galvanized, weight 208 kg  
 Bay profile IPE 240, incl. fastener, max. bay strain 4,500 kg
- ② **Vertical double faced screwed Cantilever** Ref. KS240520 D  
**Total height 521 cm**  
 galvanized, weight 250 kg  
 Bay profile IPE 240, incl. fastener, max. bay strain 4,500 kg
- Vertical double faced hooked Cantilever** Ref. KS240520 D-G  
**Total height 521 cm**  
 galvanized, weight 246 kg  
 bay profile IPE 240, incl. fastener, max. bay strain per side 4,500 kg
- ③ **Bay connection** galvanized, incl. screw  
 bay width 150 cm Ref. KSV 1500  
 bay width 175 cm Ref. KSV 1750  
 bay width 200 cm Ref. KSV 2000
- ④ **Vertical Brace, H = 180 cm**, galvanized, incl. screw  
 bay width 150 cm Ref. KDV 1500-1800  
 bay width 175 cm Ref. KDV 1750-1800  
 bay width 200 cm Ref. KDV 2000-1800
- Vertical Brace, H = 240 cm**, galvanized, incl. screw  
 bay width 150 cm Ref. KDV 1500-2400  
 bay width 175 cm Ref. KDV 1750-2400  
 bay width 200 cm Ref. KDV 2000-2400
- ⑤ **Contilever, L = 120 cm, screwed** Ref. KA120120  
 max. strain 900 kg  
 galvanized, weight 13.8 kg, IPE 120, incl. screw
- Contilever, L = 120 cm, hooked** Ref. KA120120-G  
 max. strain 900 kg  
 galvanized, weight 14.6 kg, IPE 120, incl. screw
- ⑥ **Roof Beam, L = 130 cm** Ref. KD120130 S  
**+ 7° pitch**  
 max. strain 900 kg, galvanized, weight 16.7 kg, IPE 120, incl. screw
- Roof Beam, L = 130 cm** Ref. KD120130 F  
**- 7° pitch**  
 max strain 900 kg, galvanized, weight 16.7 kg, IPE 120, incl. screw
- ⑦ **Angle Bracket for Roof Beam** Ref. KW130  
 galvanized, weight 0.4 kg, incl. screw  
 per Roof Beam are two Angle Bracket required

## Your advantages

- the roof beam and the angle brackets enable assembly of a roof
- hot-dip galvanised material
- the deflector at the cantilever arms preserve the rack and the fill mass

 **MAXI-PACK RACK**

The photos of the building sites do not necessarily show the entire building site or all security precautions. These photos and drawings are not meant to be used as an example from a security point of view. Subject to technical alterations or changes in price and equipment. Reprints and photocopies are not permitted.

© ALTRAD Baumann